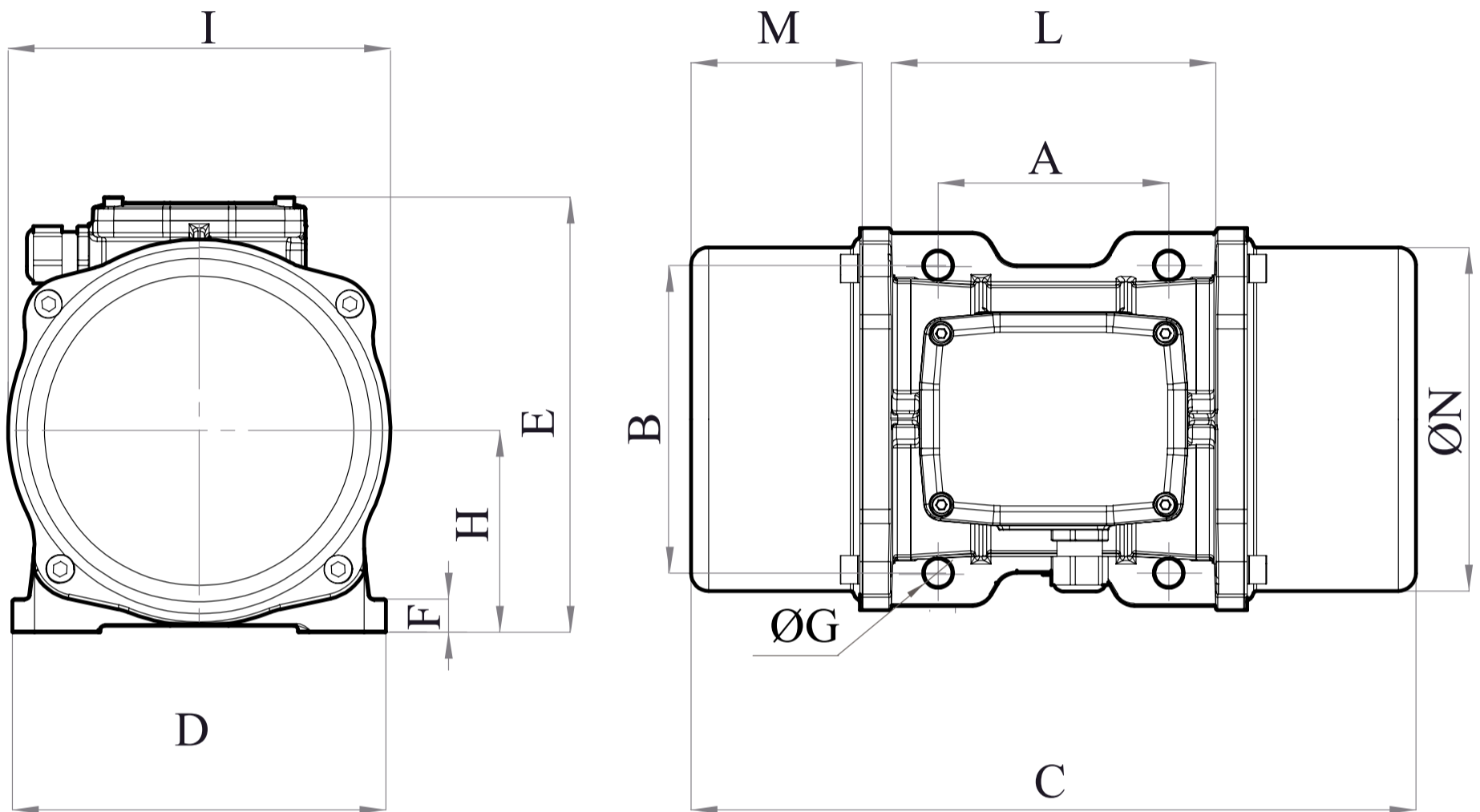




VEV 5000/3E-75A1

3 PH - 2 poles - 3000 RPM - 220-240/380-415 V - 50 Hz

| Working moment [Kg*cm] | Unbalance [Kg*cm] | Centrifugal force [Kg] | Nominal voltage [V] | Input power [kW] | Current [A] | Power Factor | Ia/In |
|------------------------|-------------------|------------------------|---------------------|------------------|----------------|--------------|-------|
| 103,24 | 51,62 | 5.009 | 220-240/380-415 | 4 | Δ 12,49 Y 7,22 | 0,8 | 8,7 |



| OVERALL DIMENSIONS [mm] | | | | | | | | | | | | | |
|-------------------------|-----|-----|------|--------------|-----|-----|-----|----|-----|-----|-----|-----|-----|
| Weight [Kg] | A | B | G | Holes number | C | D | E | F | H | I | L | M | N |
| 111,2 | 155 | 255 | 23,5 | 4 | 564 | 304 | 314 | 30 | 147 | 285 | 277 | 141 | 265 |

| TECHNICAL FEATURES | | | | | | |
|--------------------|------------------|-------|------------|----------------------|------------|-------------|
| Type of grease | Greased for life | Screw | Washer | Clamping torque [Nm] | Cable type | Cable gland |
| MOBILITH SHC 100 | Yes | M22 | 23 x 39 mm | 550 | 4G6 120°C | M32 120°C |

| BEARINGS | | | | |
|---------------|------|-----------|----------|----------|
| Bearing model | Type | Life 100% | Life 80% | Life 50% |
| NJ 2311 | | 4123 | 8675 | 41560 |

| CERTIFICATION | |
|--|----------|
| ATEX II2 D Ex tb IIIC Tx Db IP66 IECEx Ex tb IIIC Tx Db IP66 CLASS II DIV.2 GROUP F,G T4 Ex tb IIIC Tx Db IP66 [Tx Size Micro,10-30:100°C - Tx Size 40-91:135°C] CONFTO UL1004-3, UL1004-1, UL 60079-0, UL60079-31 CERT. CSA C22.2 No.100, CSA C22.2 No.77, CSA C22.2N.60079-0, CSA C22.2N.60079-31 T.Amb -20/+40°C | |